

EL[®]MARK

The Brand of Electricity

LED GLASS PANELS



GENERAL INFORMATION »

- ∴ Rated voltage: 230V/ 50-60Hz
- ∴ Power: 6W; 18W
- ∴ Power supply: Control gear; DC device- driver
- ∴ Colour temperature: 2700K; 4000K;
- ∴ LED source: Epistar SMD 2835
- ∴ Colour: White
- ∴ Body: Aluminium
- ∴ Beam angle: 120°
- ∴ Colour rendering index: Ra≥80
- ∴ Switch on/off: >20 000
- ∴ Long life: 30 000h
- ∴ Starting time: < 0,5s
- ∴ Power factor: $\lambda > 0,8$
- ∴ Installation: Build-in
- ∴ Protection against dust and moisture: IP40
- ∴ Available in variant with an emergency kit

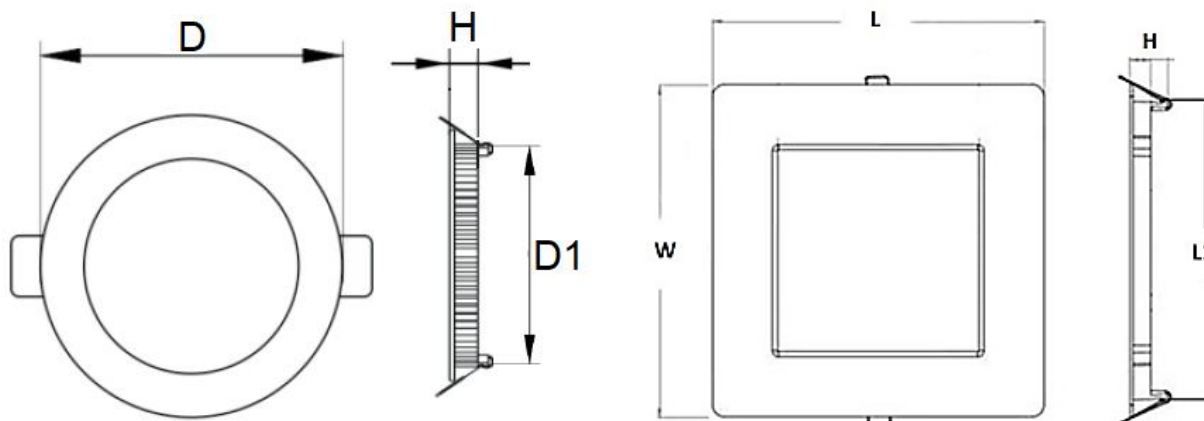
FEATURES »

- ∴ Completely replace traditional fluorescent lighting
- ∴ Safety, low voltage operation
- ∴ Emit a very pleasant and even light with very low glare factor due to the diffusion lens
- ∴ Low power consumption
- ∴ Instant light with maximum luminous flux
- ∴ Environmentally friendly - do not emit mercury and lead
- ∴ No ultraviolet and infrared rays
- ∴ Resistant to shock and vibration
- ∴ Suitable for home, offices, halls, shops, hospitals

PRODUCT DETAILS »

Catalogue number	Catalogue number with Emergency kit	Shape	Watt (W)	Whole fixture lumens (lm)	Colour temp. (K)	Colour body
99LED638	99LED638E	Round	6	480	4000	white
99LED639	99LED639E	Round	6	480	2700	white
99LED640	99LED640E	Round	18	1440	4000	white
99LED641	99LED641E	Round	18	1440	2700	white
99LED642	99LED642E	Square	6	480	4000	white
99LED643	99LED643E	Square	6	480	2700	white
99LED644	99LED644E	Square	18	1440	4000	white
99LED645	99LED645E	Square	18	1440	2700	white

DIMENSIONS »



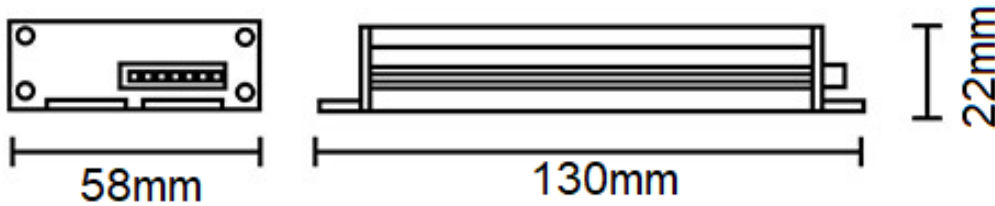
Catalogue number	Diameter/ Length (mm)	Width (mm)	Diameter1/ Length1 (mm)
99LED638	100	35	60
99LED639	100	35	60
99LED640	200	35	148
99LED641	200	35	148
99LED642	97	40	77
99LED643	97	40	77
99LED644	200	40	180
99LED645	200	40	180

LED EMERGENCY KIT SPECIFICATIONS »

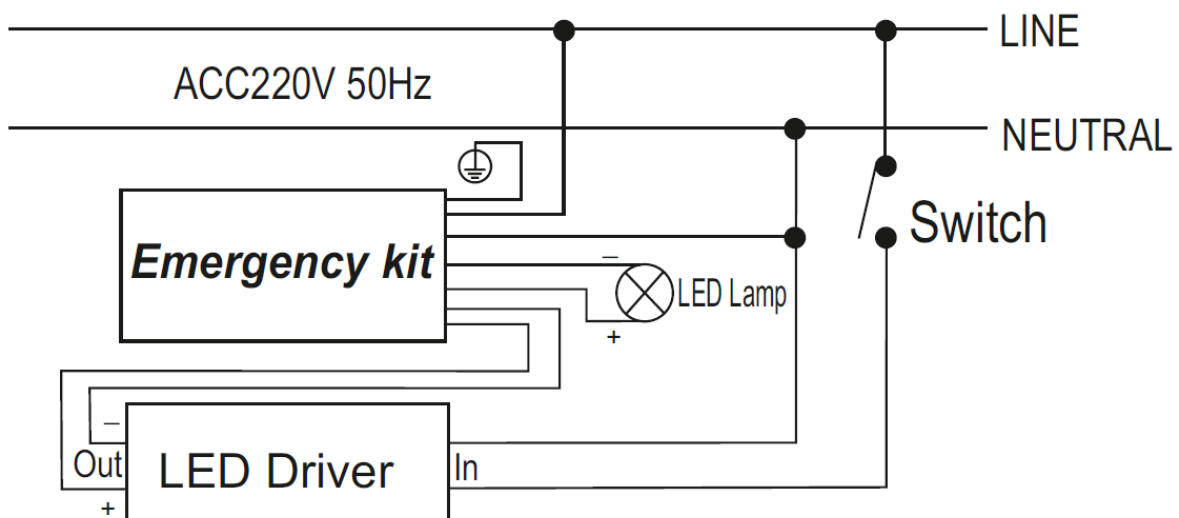


General information »

- ∴ Voltage: AC85-265V 50Hz
- ∴ Emergency Output: 3-40W
- ∴ Emergency Time: 2hrs (120mins)
- ∴ Battery: 3.7V 2400mAh
- ∴ Emergency Switching Time: <2s
- ∴ AC Fuse: 250V 1A
- ∴ DC Fuse: 250V 5A
- ∴ Luminous Flux: >100lm
- ∴ Light Source: LED
- ∴ Working temperature: -10°C +55°C
- ∴ IP Rate: IP30





Wiring diagram



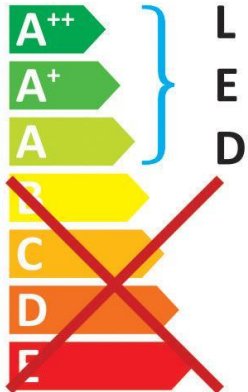
● - It indicates the connection ● Red = Charging ● Blue = Emergency ● Green = Power

ADDITIONAL INFORMATION »



99LED641



This luminaire contains built-in LED lamps.



The lamps cannot be changed in the luminaire.

874/2012


Catalogue number	Barcode	Packing/Box (pcs)
99LED638	3800131184238	1/100
99LED639	3800131184245	1/100
99LED640	3800131184252	1/20
99LED641	3800131184269	1/20
99LED642	3800131184276	1/100
99LED643	3800131184283	1/100
99LED644	3800131184290	1/20
99LED645	3800131184306	1/20

